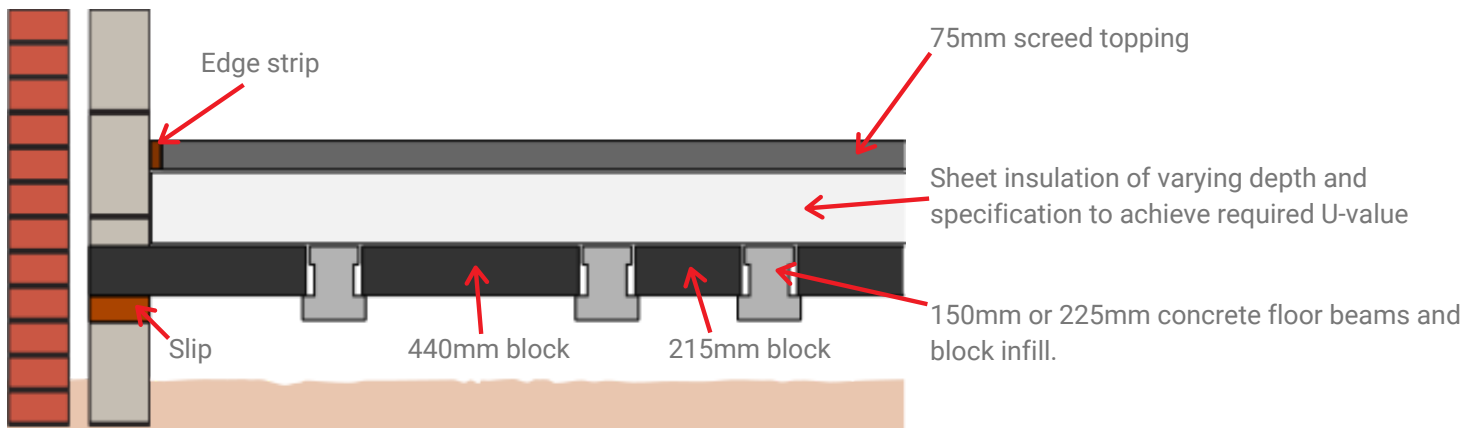


INSULATED FLOOR SOLUTIONS

Oct 2019 - Page 1/2

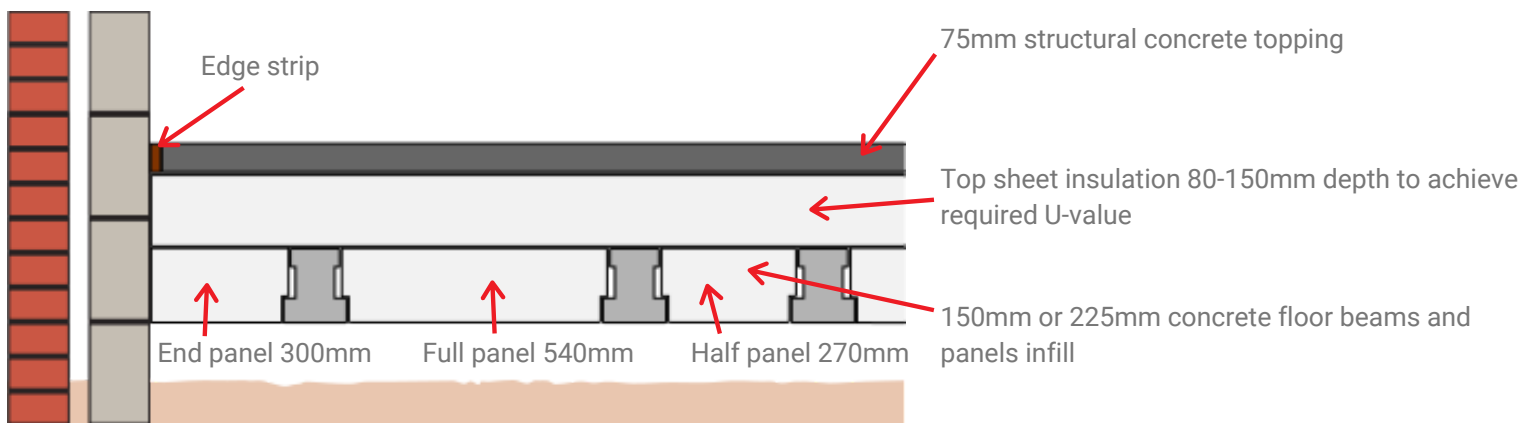
BEAM AND BLOCK

Floor beams with block infill and insulation over



TS TOP SHEET

Floor beams with insert and top sheet poly panels



Foxbank Industrial Estate
 Stoney Stanton
 Leicestershire
 LE9 4LX

T: 01455 272457

E: sales:stressline.net

W: www.stressline.net

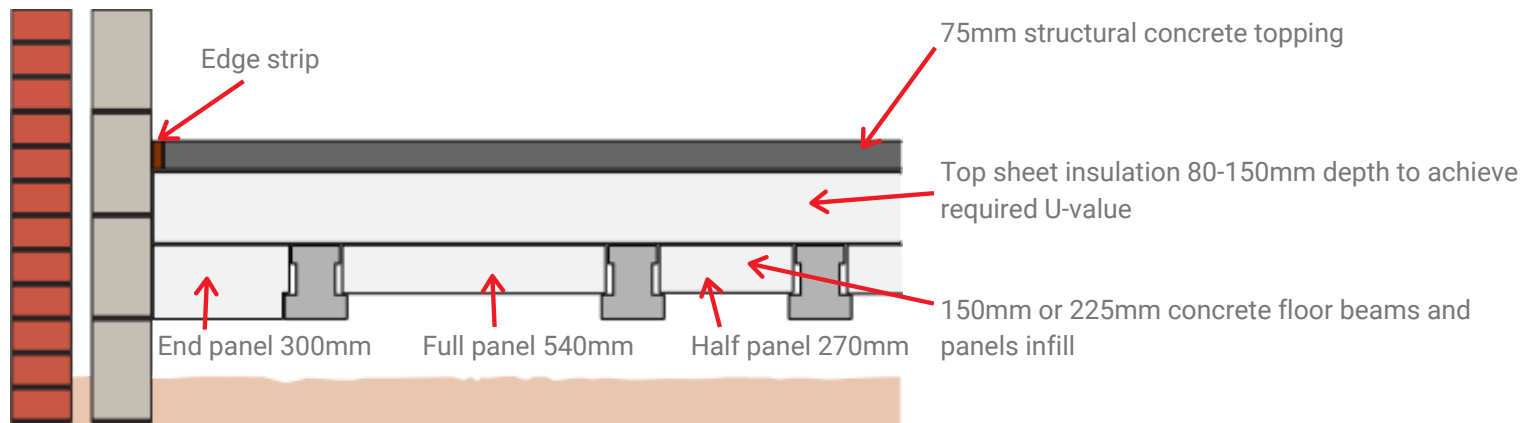


INSULATED FLOOR SOLUTIONS

Oct 2019 - Page 2/2

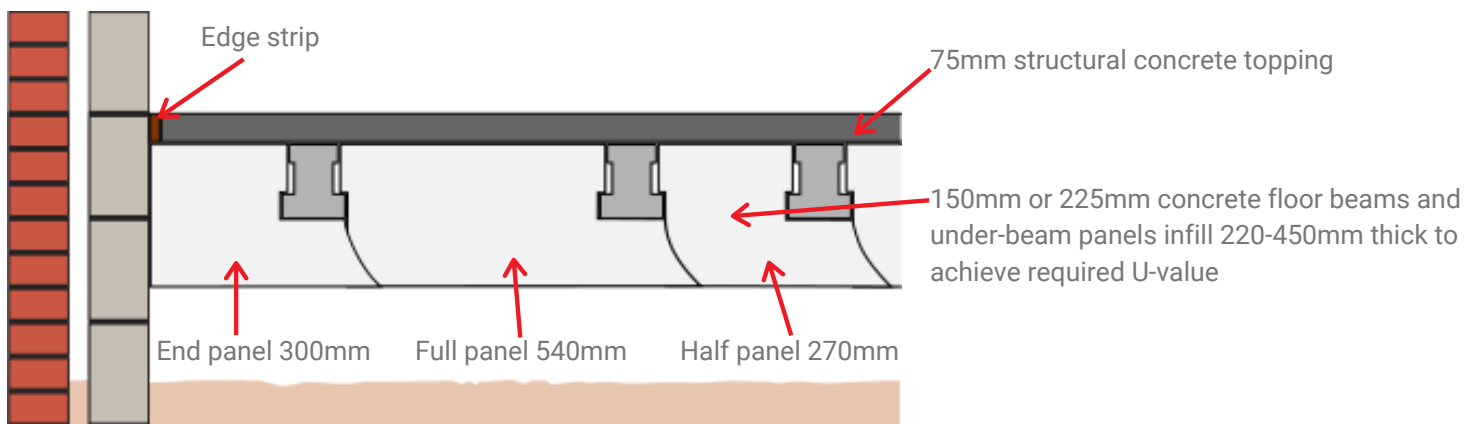
R2 TOP SHEET

Floor beams with shallow insert and top sheet poly panels



UNDER-BEAM

Floor beams with interlocking under-beam poly panels



Foxbank Industrial Estate
Stoney Stanton
Leicestershire
LE9 4LX

T: 01455 272457

E: sales:stressline.net

W: www.stressline.net

