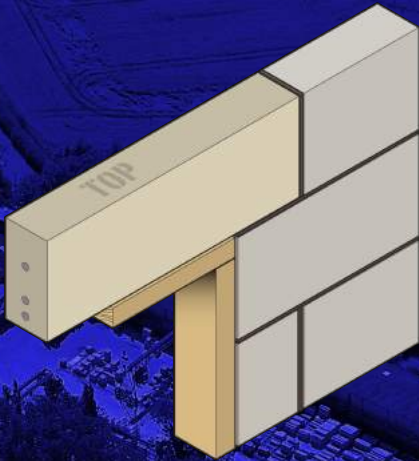


FAIRFACED

PRESTRESSED CONCRETE LINTELS



Stressline 'Fair Faced' prestressed concrete lintels are high performance lintels with a smooth finish which are designed to support a variety of loads including masonry, timber floor loads, roof loads, concrete floor loads and much more.

The fair faced prestressed concrete lintel is a cost-effective solution to support load bearing walls with the added benefit of a smooth finish to allow the lintel to be visible. Produced in a range of sections from 100mm x 110mm, through to 215mm x 215mm, fair faced lintels can be cut to a specified length.

sales@stressline.net
01455 272457

- Variety of applications
- Smooth finish for visibility
- Lengths up to 4.2m
- Various sections up to 215mm x 215mm
- Can be cut to specified length
- 3-5 day turnaround

STRESSLINE
STRUCTURAL BUILDING PRODUCTS

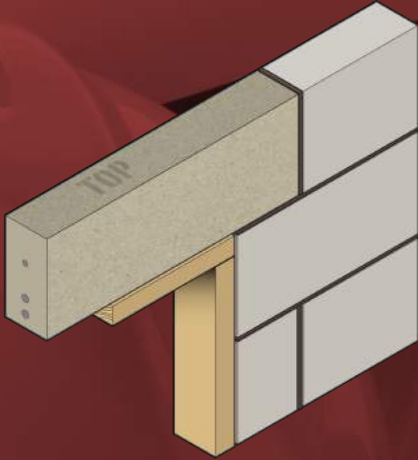
YOUR CHOICE | OUR STRENGTH

t: 01455 272457
e: sales@stressline.net
w: www.stressline.net



HIGHSTRENGTH

PRESTRESSED CONCRETE LINTELS



Stressline high strength prestressed concrete lintels are designed to bear heavy loads and are a stronger alternative to our standard concrete lintels. The high strength lintels can support a variety of loads including masonry, timber floor loads, roof loads, concrete floor loads and much more and can be used to support UDLs in excess of 140 kN/m.

The high strength prestressed concrete lintel is a valuable load supporting product vital for openings which have an extreme load placed upon them. The high strength lintels are available in lengths from 600mm to 4200mm (depending on the type) and in sizes ranging from 100mm x 70mm up to a 215mm x 215mm variant.

sales@stressline.net
01455 272457

- Variety of applications
- UDLs in excess of 140 kN/m
- Lengths up to 4.2m
- Various sections up to 215mm x 215mm
- Can be cut to specified length
- 3-5 day turnaround

STRESSLINE
STRUCTURAL BUILDING PRODUCTS

YOUR CHOICE | OUR STRENGTH

t: 01455 272457
e: sales@stressline.net
w: www.stressline.net

