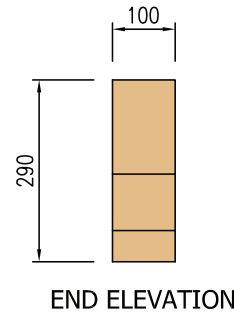
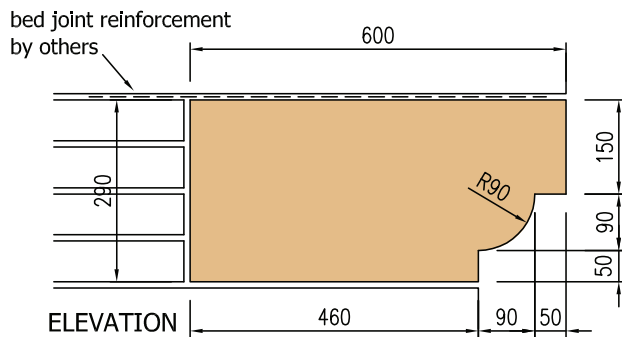
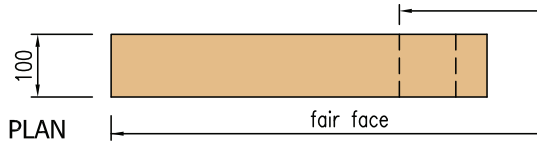




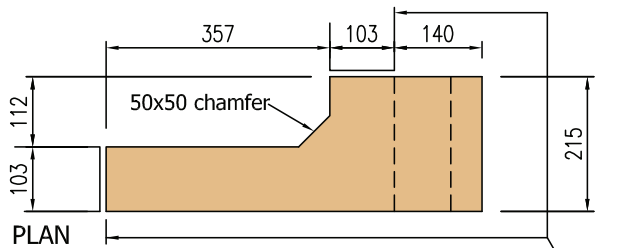
CORBELS

Corbel type
CBA

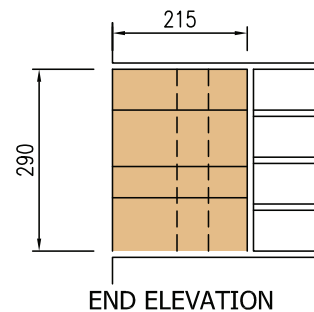
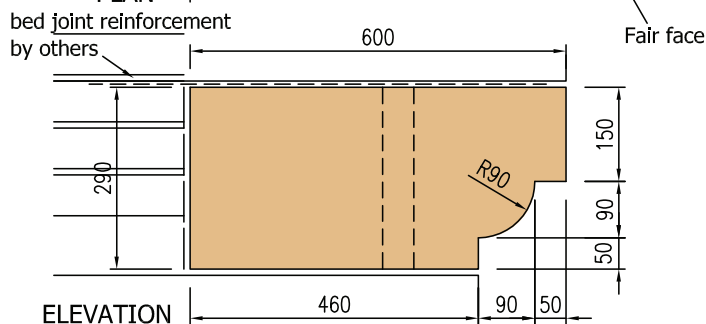


CBA1/CBA2

CBA1 - RH corbel (as drawn)
CBA2 - LH corbel (opposite hand)
weight = 33kgms



TEMPORARY SUPPORT MAY BE
REQUIRED WHILST STRUCTURE
OVER MATURES.



CBA3/CBA4

CBA3 - RH corbel (as drawn)
CBA4 - LH corbel (opposite hand)
weight = 46kgms

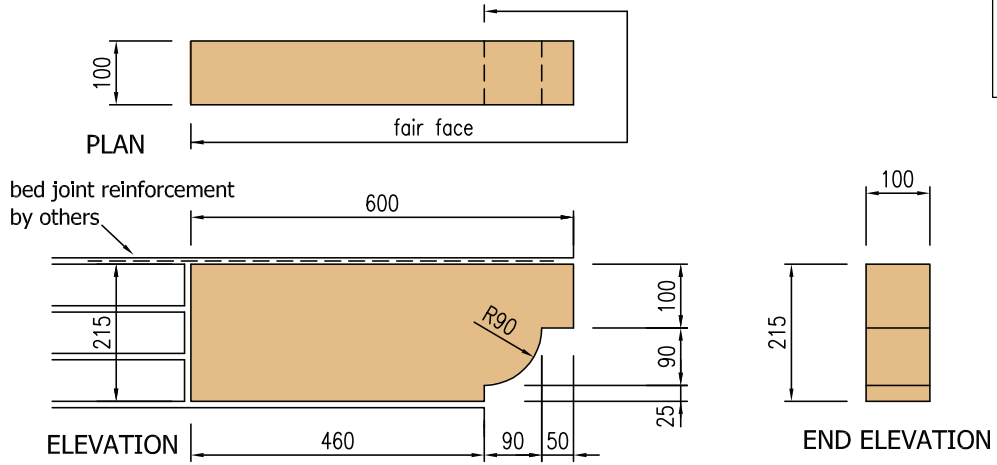
IMPORTANT NOTICE : BED JOINT REINFORCEMENT, USED ABOVE CORBELS, ALL BY OTHERS.

CORBELS



CORBELS

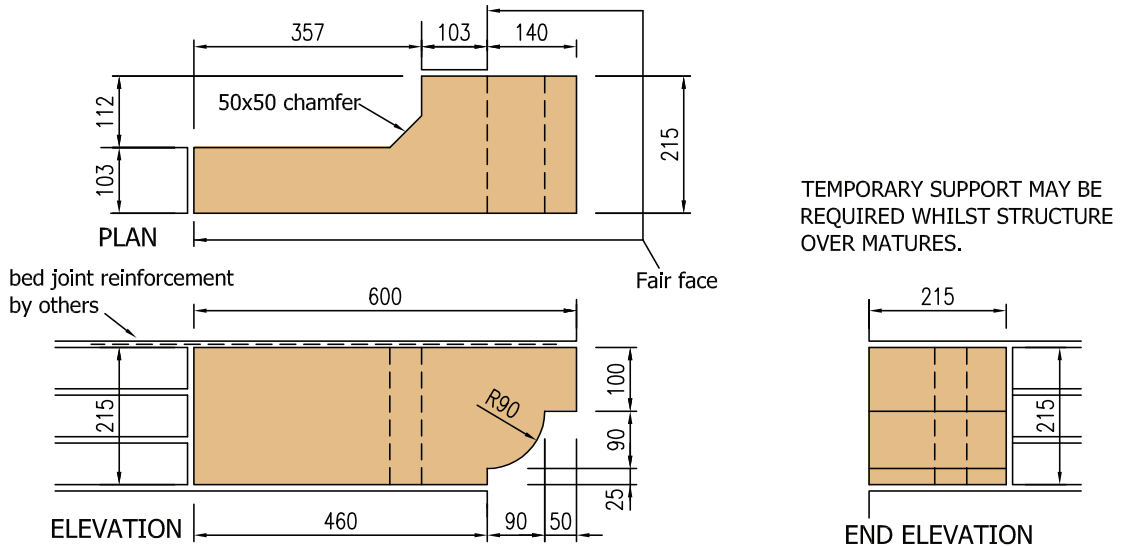
Corbel type
CBB



CBB1/CBB2

CBB1 - RH corbel (as drawn)
CBB2 - LH corbel (opposite hand)
weight = 24kgms

weight = 24kgms



CBB3/CBB4

CBB3 - RH corbel (as drawn)
CBB4 - LH corbel (opposite hand)
weight = 34kgms

TEMPORARY SUPPORT MAY BE
REQUIRED WHILST STRUCTURE
OVER MATURES.

IMPORTANT NOTICE : BED JOINT REINFORCEMENT, USED ABOVE CORBELS, ALL BY OTHERS.