

SPECIALS

APPLICATION

Stressline Special Lintels are designed and manufactured to suit the most innovative of window designs and styles including:

- Semi-circular arch
- Segmental arch
- Parabolic arch
- Gothic arch
- Venetian arch
- Apex lintel
- Corner lintel
- Splayed bay lintel
- Square bay lintels

INSTALLATION NOTES

For general installation notes please refer to page 66.

ADVANTAGES

- Easy to install and suitable for a variety of applications
- Galvanised coating ensures durability/longevity
- Built-in plaster key – perforated base plate to inner flange
- Excellent thermal efficiency
- Available for solid wall construction
- Corner lintels and bay lintels can be supplied with corner posts

INFORMATION REQUIREMENTS

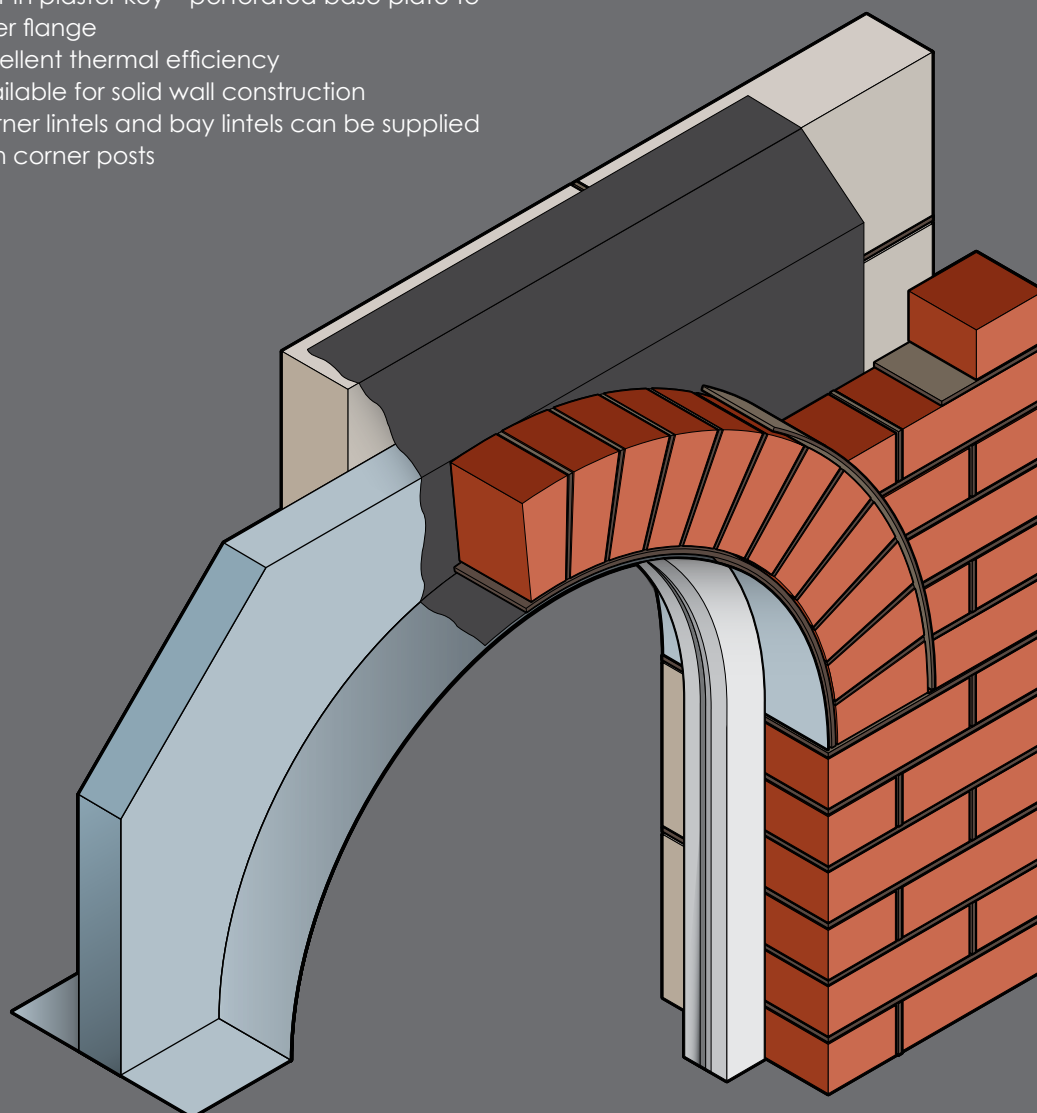
To enable us to provide a quick and cost effective service, please provide our Technical Office with all the relevant information regarding: wall construction (inner leaf, cavity width, outer leaf), structural opening (clear span), arch rise or radius, loadings supported by the lintel (i.e. masonry loads, floor/roof loads).

Please refer to forms overleaf.

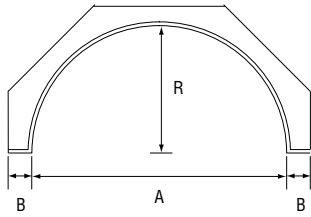


If in doubt please contact our technical department on

01455 272457



SEMI-CIRCULAR ARCH LINTEL

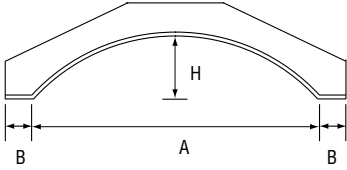


LINTEL DIMENSIONS	
Clear span (A)	<input type="text"/> mm
Radius (R)	<input type="text"/> mm
End bearing (B)	<input type="text"/> mm

WALL CONSTRUCTION	
Outer leaf	<input type="text"/> mm
Cavity width	<input type="text"/> mm
Inner leaf	<input type="text"/> mm

PLASTER KEY REQUIREMENTS	
Inside only	<input type="checkbox"/> please tick
Both sides	<input type="text"/>
None	<input type="text"/>

SEGMENTAL ARCH LINTEL

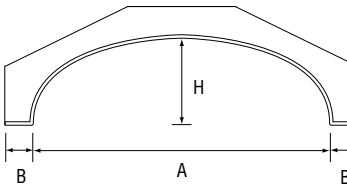


LINTEL DIMENSIONS	
Clear span (A)	<input type="text"/> mm
Height of rise (H)	<input type="text"/> mm
End bearing (B)	<input type="text"/> mm

WALL CONSTRUCTION	
Outer leaf	<input type="text"/> mm
Cavity width	<input type="text"/> mm
Inner leaf	<input type="text"/> mm

PLASTER KEY REQUIREMENTS	
Inside only	<input type="checkbox"/> please tick
Both sides	<input type="text"/>
None	<input type="text"/>

PARABOLIC ARCH LINTEL



LINTEL DIMENSIONS	
Clear span (A)	<input type="text"/> mm
Height of rise (H)	<input type="text"/> mm
End bearing (B)	<input type="text"/> mm

WALL CONSTRUCTION	
Outer leaf	<input type="text"/> mm
Cavity width	<input type="text"/> mm
Inner leaf	<input type="text"/> mm

PLASTER KEY REQUIREMENTS	
Inside only	<input type="checkbox"/> please tick
Both sides	<input type="text"/>
None	<input type="text"/>

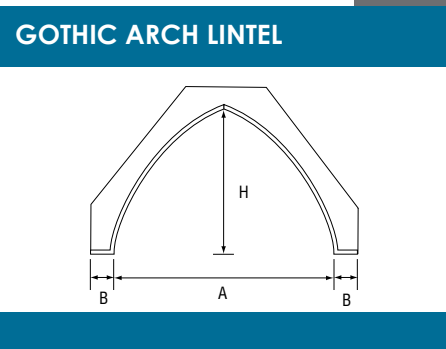
CUSTOMER DETAILS	
Full Name	Company Name
<input type="text"/>	<input type="text"/>
Job reference/Site address	
<input type="text"/>	
Address	
<input type="text"/>	Postcode
<input type="text"/>	<input type="text"/>
Fax	Telephone
<input type="text"/>	<input type="text"/>
Email address	
<input type="text"/>	

Enquiries for Special lintels should be faxed to 01455 274564

LINTEL DIMENSIONS	
Clear span (A)	<input type="text"/> mm
Height of rise (H)	<input type="text"/> mm
End bearing (B)	<input type="text"/> mm

WALL CONSTRUCTION	
Outer leaf	<input type="text"/> mm
Cavity width	<input type="text"/> mm
Inner leaf	<input type="text"/> mm

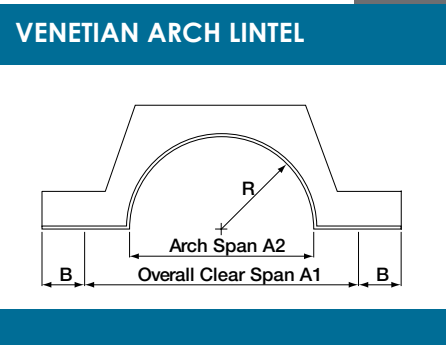
PLASTER KEY REQUIREMENTS	
Inside only	<input type="checkbox"/> please tick
Both sides	<input type="checkbox"/>
None	<input type="checkbox"/>



LINTEL DIMENSIONS	
Overall Clear span (A1)	<input type="text"/> mm
Arch Span (A2)	<input type="text"/> mm
Radius (R)	<input type="text"/> mm
End Bearing (B)	<input type="text"/> mm

WALL CONSTRUCTION	
Outer leaf	<input type="text"/> mm
Cavity width	<input type="text"/> mm
Inner leaf	<input type="text"/> mm

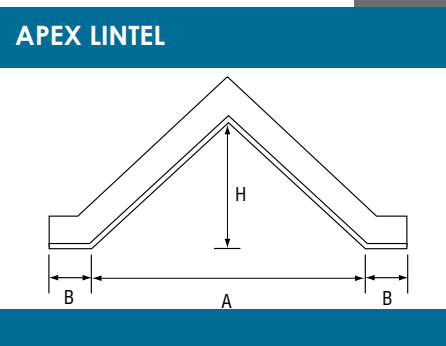
PLASTER KEY REQUIREMENTS	
Inside only	<input type="checkbox"/> please tick
Both sides	<input type="checkbox"/>
None	<input type="checkbox"/>



LINTEL DIMENSIONS	
Clear span (A)	<input type="text"/> mm
Height of rise (H)	<input type="text"/> mm
End Bearing (B)	<input type="text"/> mm

WALL CONSTRUCTION	
Outer leaf	<input type="text"/> mm
Cavity width	<input type="text"/> mm
Inner leaf	<input type="text"/> mm

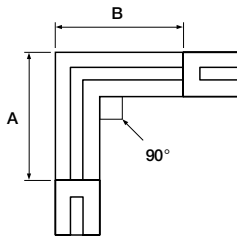
PLASTER KEY REQUIREMENTS	
Inside only	<input type="checkbox"/> please tick
Both sides	<input type="checkbox"/>
None	<input type="checkbox"/>



CUSTOMER DETAILS	
Full Name	Company Name
Job reference/Site address	
Address	Postcode
Address	Postcode
Fax	Telephone
Email address	

Enquiries for Special lintels should be faxed to 01455 274564

CORNER LINTEL



LINTEL DIMENSIONS

Span (A)	<input type="text"/>	mm
Span (B)	<input type="text"/>	mm

WALL CONSTRUCTION

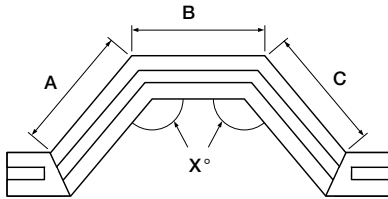
Outer leaf	<input type="text"/>	mm
Cavity width	<input type="text"/>	mm
Inner leaf	<input type="text"/>	mm

PLASTER KEY REQUIREMENTS

Inside only	<input type="checkbox"/> please tick
Both sides	<input type="checkbox"/>
None	<input type="checkbox"/>

Do not allow for bearing. This will be added at design stage

SPLAYED BAY LINTEL



LINTEL DIMENSIONS

Span (A)	<input type="text"/>	mm
Span (B)	<input type="text"/>	mm
Span (C)	<input type="text"/>	mm
Angle (X)	<input type="text"/>	°

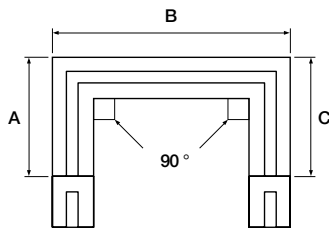
WALL CONSTRUCTION

Outer leaf	<input type="text"/>	mm
Cavity width	<input type="text"/>	mm
Inner leaf	<input type="text"/>	mm

PLASTER KEY REQUIREMENTS

Inside only	<input type="checkbox"/> please tick
Both sides	<input type="checkbox"/>
None	<input type="checkbox"/>

SQUARE BAY LINTEL



LINTEL DIMENSIONS

Span (A)	<input type="text"/>	mm
Span (B)	<input type="text"/>	mm
Span (C)	<input type="text"/>	mm

WALL CONSTRUCTION

Outer leaf	<input type="text"/>	mm
Cavity width	<input type="text"/>	mm
Inner leaf	<input type="text"/>	mm

PLASTER KEY REQUIREMENTS

Inside only	<input type="checkbox"/> please tick
Both sides	<input type="checkbox"/>
None	<input type="checkbox"/>

Do not allow for bearing. This will be added at design stage

CUSTOMER DETAILS

Full Name	<input type="text"/>	Company Name	<input type="text"/>
Job reference/Site address			
<input type="text"/>			
Address		Postcode	<input type="text"/>
<input type="text"/>		<input type="text"/>	<input type="text"/>
Fax		Telephone	<input type="text"/>
<input type="text"/>		<input type="text"/>	<input type="text"/>
Email address			
<input type="text"/>			

See additional installation notes on page 67.